



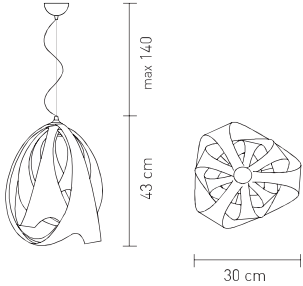


# GOCCIA

 design by Stefano Papi

Compendium page 186





PRODUCT	SIZE	COLOUR	CODE	PRICE
<b>SUSPENSION</b> Bulbs:  1 X 24W - E27 FBG or  1 X 75W max - E27 - Halogen Made of: Lentiflex® or Opalflex® Weight: netto Kg 0,80 - Kg 0,90 (Lentiflex) lordo Kg 1,60 - Kg 1,80 (Lentiflex) Package: 34,5 x 34,5 x h46cm  CE IP 20  		<b>PRISMA</b>  <b>AQUA</b>  <b>FIRE</b>  <b>OPAL</b>  <b>TETRA</b>  <b>JET</b>  <b>SNOW</b>	<b>GOC76SOS0000LE</b> EAN: 8024727039961  <b>GOC76SOS0000WV</b> EAN: 8024727038766  <b>GOC76SOS0000WA</b> EAN: 8024727038773  <b>GOC76SOS0000WB</b> EAN: 8024727038780  <b>GOC76SOS0000WM</b> EAN: 8024727038797  <b>GOC76SOS0000N</b> EAN: 8024727038803  <b>GOC76SOS0000W</b> EAN: 8024727038810	<b>€ 195,00</b>  <b>€ 145,00</b>  <b>€ 145,00</b>  <b>€ 145,00</b>  <b>€ 145,00</b>  <b>€ 145,00</b>  <b>€ 145,00</b>

Prices in EUROS and subject to change

# HELIOS

 design by Stamp Team




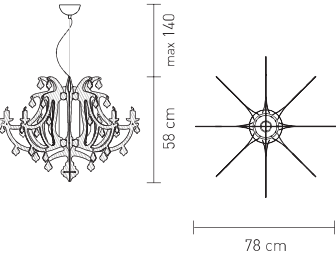
Compendium page 192

PRODUCT	SIZE	COLOUR	CODE	PRICE
<b>FLOOR LAMP</b> LED: 50W - 12V - 3800 Lumen 2700° Kelvin (Warm white Refiltered)  Made of: Lentiflex®/Methacrylate / Iridescent Polycarbonate With: <b>Carrara Marble Base</b> <b>Dimmer</b> Weight: netto Kg 18,60 lordo Kg 24,50 Package: A 12,50kg 32 x 31 x h190cm B 12,00kg 31,5 x 31,5 x h31,5cm  CE IP 20  		<b>PRISMA</b>	<b>HEL71PF00004LE</b> EAN: 8024727040622	<b>€ 2.500,00</b>

# GINETTA PRISMA

 design by Nigel Coates

Compendium page 198

PRODUCT	SIZE	COLOUR	CODE	PRICE
<b>SUSPENSION</b> Bulbs:  1 X 100W max - E27 Halogen (max dimension Ø 3,2 x 10,5 cm) Made of: Lentiflex® With: <b>Iridescent bulb screen</b> <b>MagneticSystem®</b> Weight: netto Kg 2,50 lordo Kg 3,70 Package: 57 x 28 x h36cm  CE IP 20  		<b>PRISMA</b>	<b>GIN14SOS0000LE</b> EAN: 8024727040592	<b>€ 500,00</b>